



Notes:

- ∴ D1 and D2 are Blue LEDs they might not
- ∴ When VCC is less than 5V change the sy:

	2	
--	---	--

t light when using $V_{i_BAT} < 4V^{\sim}$
stem clock of the ATTINY85 to 8MHz or less:

3

4

5 (refer to the datasheet P163 Section 2

T.A.M.I hackerspace crew LICENSE: CERN OHL 1.7		
	ATT	
	12/	
	She	
	5	

(1-3 Speed)

D

AMI-V0.00

01/2015 00:20:52

et: 1/1

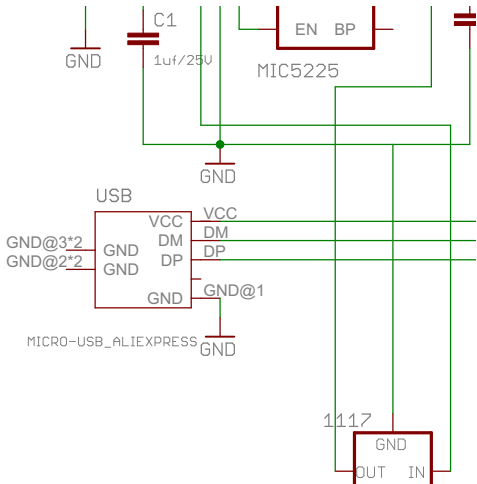
6

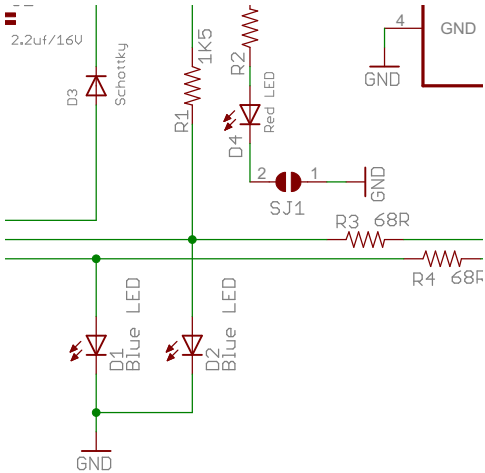


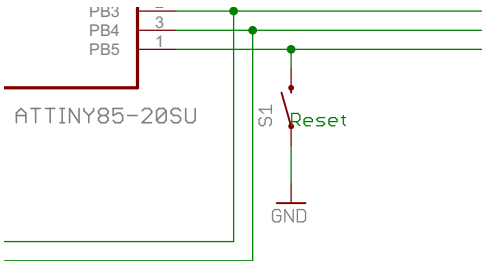
A vertical diagram consisting of two parallel vertical lines. A horizontal line segment connects the two vertical lines, dividing the space between them into two sections. The upper section is labeled 'B' and the lower section is labeled 'C'.

B

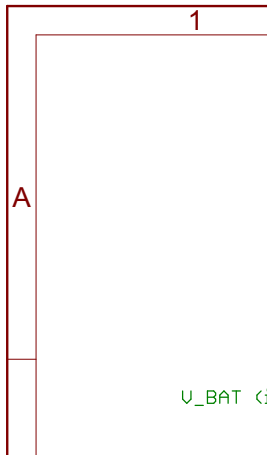
C



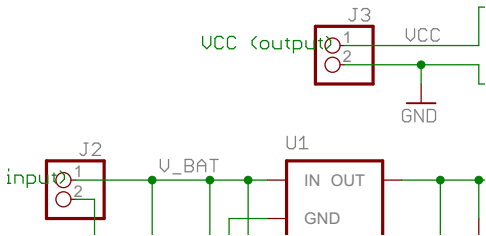






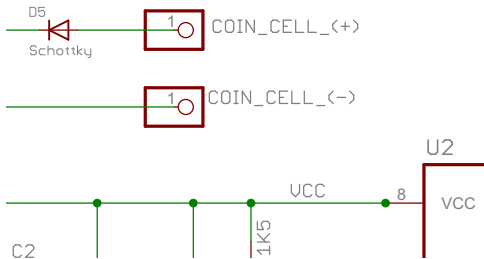


2



3

4





GI



