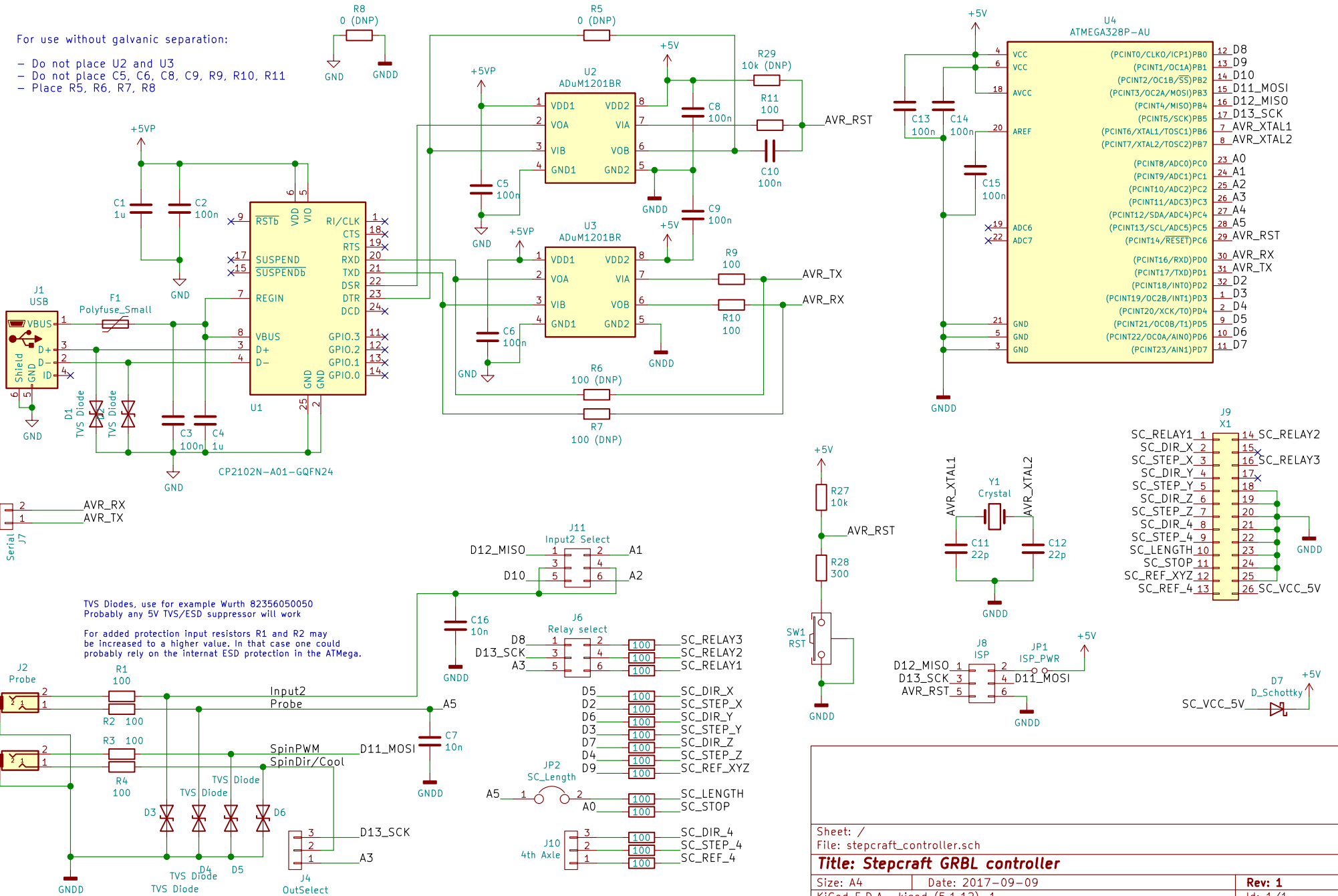


For use without galvanic separation:

- Do not place U2 and U3
- Do not place C5, C6, C8, C9, R9, R10, R11
- Place R5, R6, R7, R8



TVS Diodes, use for example Wurth 82356050050
Probably any 5V TVS/ESD suppressor will work

For added protection input resistors R1 and R2 may be increased to a higher value. In that case one could probably rely on the internal ESD protection in the ATMEGA.

Sheet: /
File: stepcraft_controller.sch
Title: Stepcraft GRBL controller

Size: A4 Date: 2017-09-09
KiCad E.D.A. kicad (5.1.12)-1

Rev: 1
Id: 1/1